

INFINITY ECO WOLTMANN WP BULK METER



APPLICATION

- Accurate measurement of cold potable water consumption.
- Suitable for District Metered Areas. (DMA)
- Suitable for Zone and Area Monitoring.

FEATURES

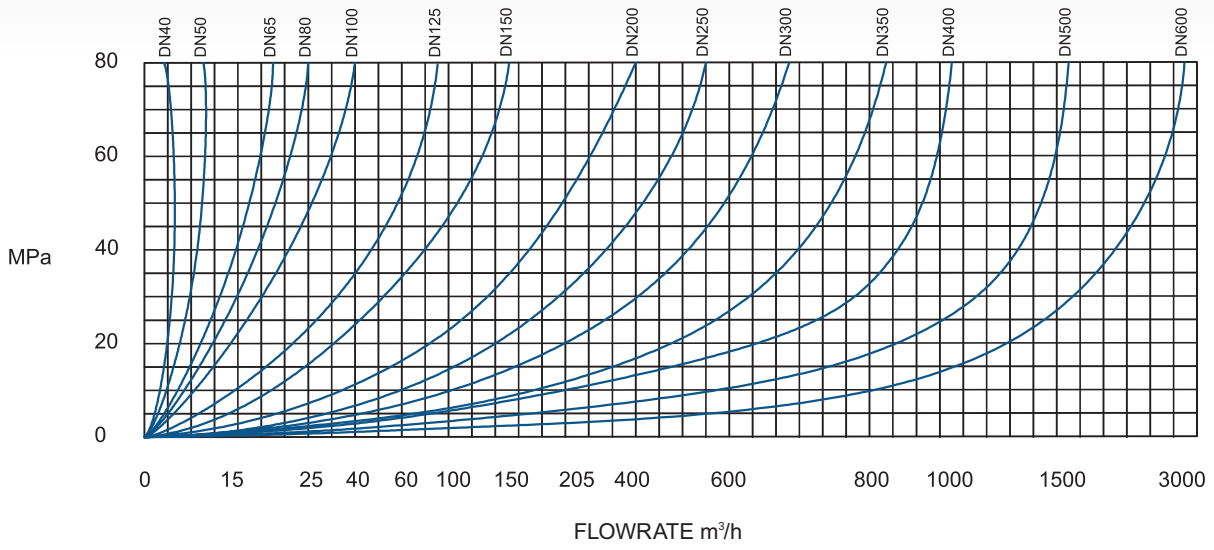
- 40mm to 100mm comply with SANS1529 -1: 2019 (Class B)
- 150mm to 600mm comply with ISO4064 (Class B)
- Pulse output standard. No additional pulse pick up required.
- Meter sizes 40mm to 200mm tted with straight reading counters.
- Working temperature $\leq 50^{\circ}\text{C}$.
- Working pressure 1600 kPa.
- Available Drilled to Table 16. Table 25 available to special order.
- 40mm to 150mm tested and veried in South Africa.
- Epoxy coated cast iron body.
- Designed for Horizontal installation.
- Internal mechanism removable without removing body from pipe.
- Pre-Calibrated mechanisms available for replacement.

METER PERFORMANCE SPECIFICATIONS - CLASS B

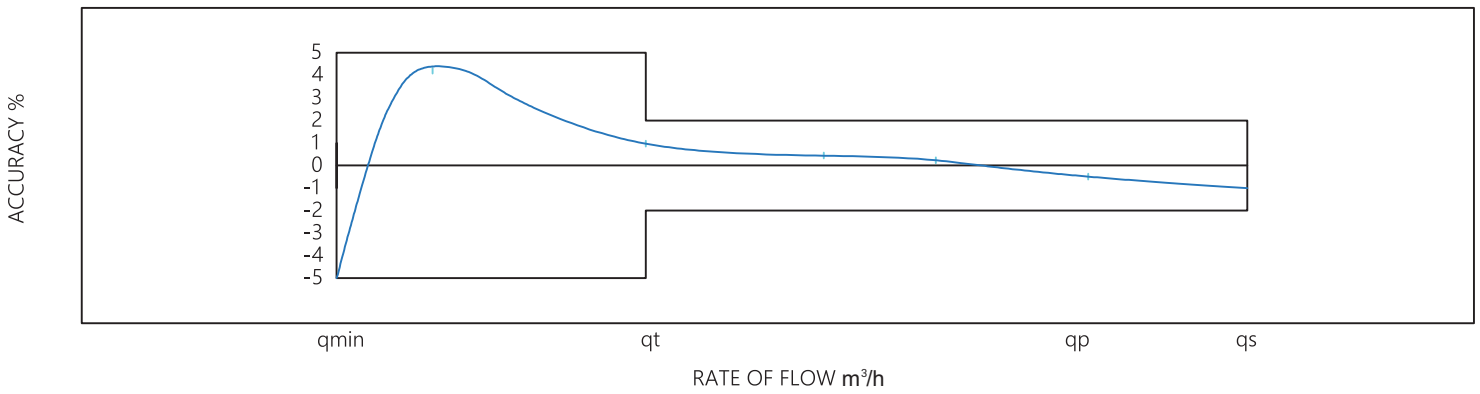
METER SIZE (mm)	Maximum Flow rate $q_s \pm 2\%$ (m ³ /h)	Permanent Flow rate $q_p \pm 2\%$ (m ³ /h)	Transitional Flow rate $q_t \pm 2\%$ (m ³ /h)	Minimum Flow rate $q/\text{min} \pm 5\%$ (m ³ /h)	Minimum Reading (m ³ /h)	Counter Factor (Multiplier)	Pulse Value Litres per pulse (FIXED)
40	20	10	0.8	0.2	0.0005	-	100
50	30	15	3	0.45	0.0005	-	100
*65	50	25	5	0.75	0.0005	-	100
80	80	40	8	1.2	0.002	-	100
100	120	60	12	1.8	0.002	-	100
*125	200	100	20	3	0.002	-	100
150	300	150	30	4.5	0.002	-	100
200	500	250	50	7.5	0.002	-	100
250	800	400	80	12	0.02	X10	1000
300	1200	600	120	18	0.2	X10	1000
350	1600	800	160	24	0.2	X10	1000
400	2000	1000	200	30	2	X100	1000
500	3000	1500	300	45	2	X100	1000
600	6000	3000	600	90	2	X100	1000

Recommend a strainer always be fitted upstream of any bulk meter.

HEAD LOSS GRAPH

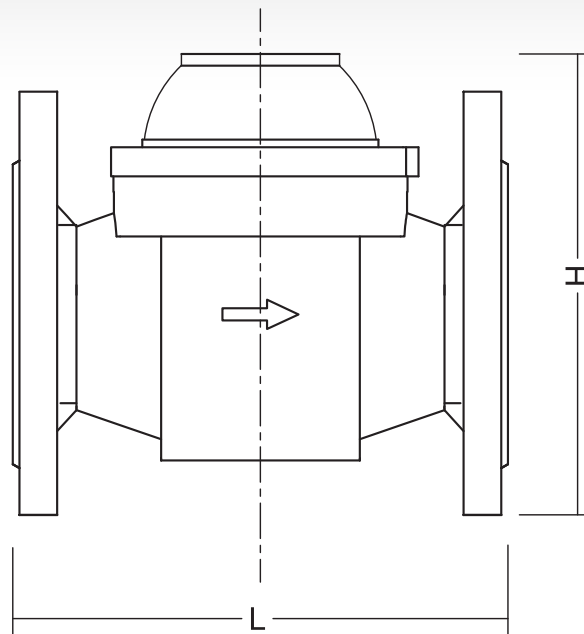


TYPICAL FLOW ERROR CURVE



DIMENSION TABLE

METER SIZE (mm)	L Length (mm)	H Height (mm)	± Weight (kg)
40	200	200	11
50	200	215	13
65	200	215	14
80	225	279	18
100	250	289	20
125	250	299	25
150	300	360	40
200	350	346	52
250	450	434	82
300	500	459	103
350	500	590	166
400	600	660	240
500	800	760	370
600	500	880	220



DOMESTIC METERS BULK METERS METER BOXES SMART METERING