

EMS HYBRID CLASS C WOLTMANN WP BULK METER



APPLICATION

- Accurate measurement of volume of cold potable water consumption.
- Suitable for large consumer applications.
- Accurate measurement and recording minimum night flow.
- Monitoring and Leak detection.
- Suitable alternative to a Combination Meter in some applications.

FEATURES

- 40mm to 100mm comply with SANS1529 -1: 2019 (Class C).
- 150mm to 300mm comply with ISO4064 (Class C).
- OIML R49-1 (MID) R315 capable.
- IP68 counter with Gauss 1500 protection.
- Clear LCD display.
- Working temperature $\leq 60^{\circ}\text{C}$. (Ambient Maximum 70°C).
- Working pressure 1600 kPa.
- Fanged drilled Table 16.
- 50 mm to 150mm tested and verified in South Africa.
- Epoxy coated cast iron body.
- Designed for Horizontal installation.
- Internal mechanism removable without removing body from pipe.
- Built in Flow Straightener.
- ± 8 -year battery life under normal use.
- Replaceable lithium battery.
- Multiple communication options - Pulse, 4-20mA, RS485, Modbus.
- Intelligent Management Functions.
- Internal Data Logging. Data scroll through facility on counter.
- External GSM flow/pressure logger available.
- Meter not affected by magnetic interference.

Recommend - strainer fitted upstream of the meter.

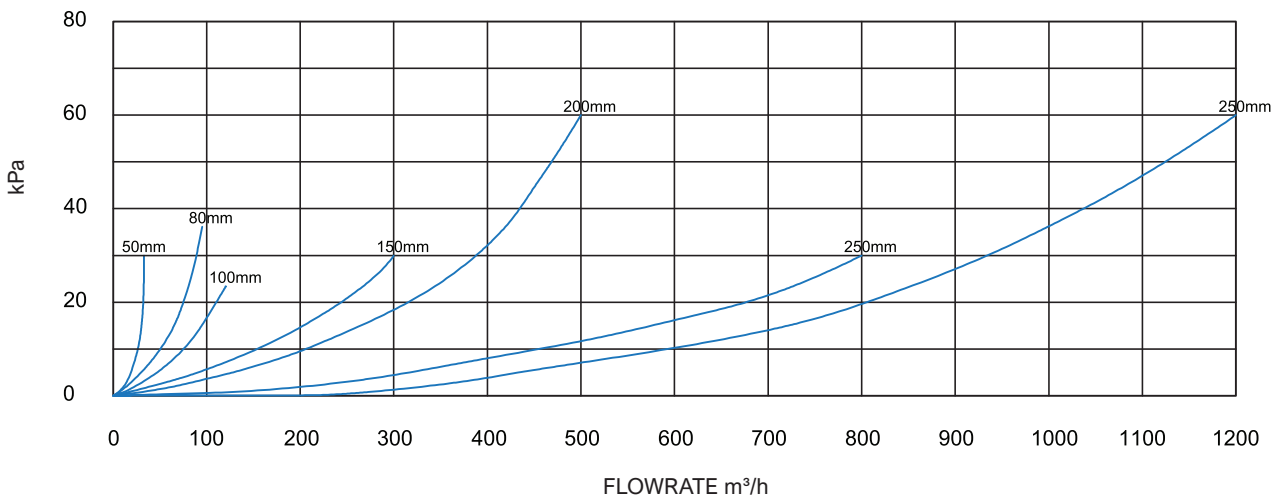
INTELLIGENT MANAGEMENT FUNCTIONS

- Anti-magnetic symbol.
- Leakage indicator (Days).
- Forward reverse flow direction indicator.
- Battery Level indicator.
- Tamper indicator.
- Instantaneous Flow Rate Value.
- Accumulated Flow Rate Value.
- Overload Flow Rate Chart.
- Accumulated Flow Rate Chart.

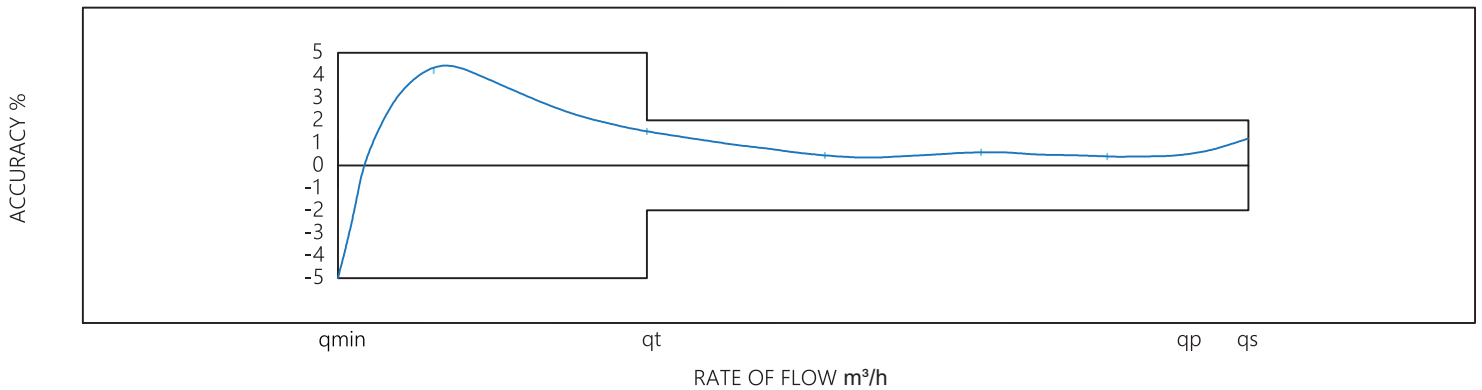
EMS HYBRID BULK METER PERFORMANCE SPECIFICATIONS - CLASS C

METER SIZE (mm)	Maximum Flow rate $q_s \pm 2\%$ (m ³ /h)	Permanent Flow rate $q_p \pm 2\%$ (m ³ /h)	Transitional Flow rate $q_t \pm 2\%$ (m ³ /h)	Minimum Flow rate $q/\text{min} \pm 5\%$ (m ³ /h)	Minimum Reading (m ³ /h)	Pulse Value Litres per pulse
50	30	15	0.255	0.09	0.0001	1,10,100
80	80	40	0.6	0.24	0.0001	1,10,100
100	120	60	0.9	0.36	0.0001	1,10,100
150	300	150	2.25	0.9	0.001	10,100,1000
200	500	250	3.75	1.5	0.001	10,100,1000
250	800	400	6	2.4	0.001	10,100,1000
300	1200	600	9	3.6	0.01	100,1000

EMS HYBRID METER HEAD LOSS CURVE

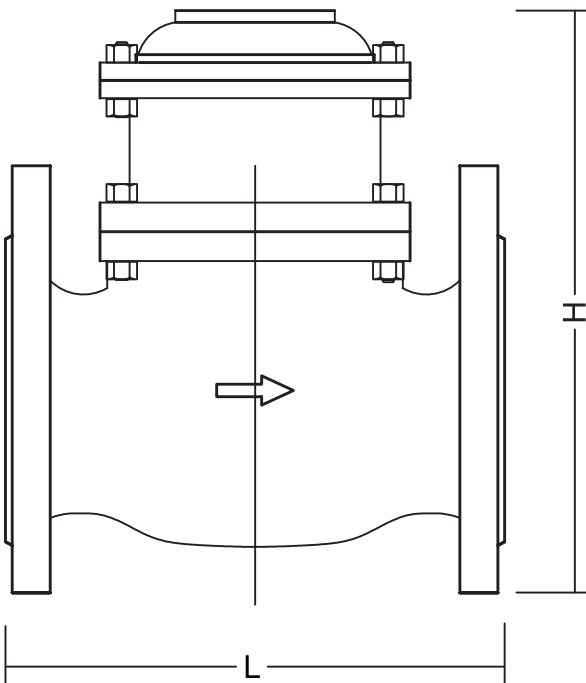


TYPICAL EMS HYBRID METER FLOW ERROR CURVE



DIMENSION TABLE

METER SIZE (mm)	L Length (mm)	H Height (mm)	± Weight (kg)
50	200	285	19
80	200	310	21
100	250	319	23
150	300	384	30
200	350	411	54
250	440	525	82
300	500	557	108



DOMESTIC METERS • BULK METERS • METER BOXES • SMART METERING