

# 40mm MD-AP CLASS C POLYMER MULTI-JET METER



## APPLICATION

- Accurate measurement of volume of cold potable water consumption.
- Suitable for both domestic and small business metering applications.

## FEATURES

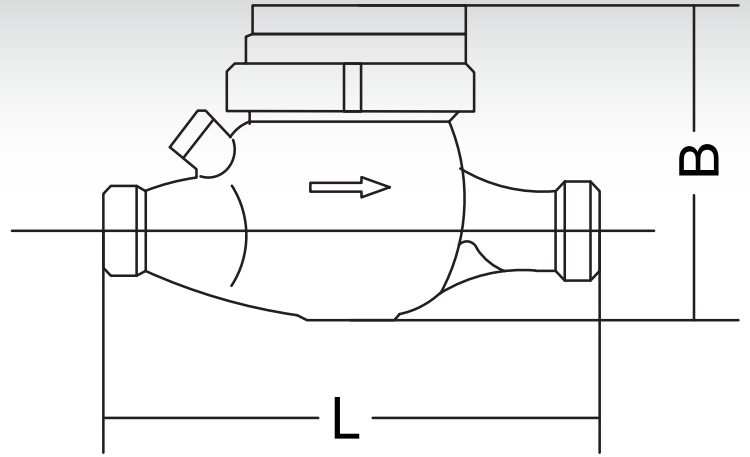
- Complies with SANS1529 -1: 2019 Class C specifications.
- Meter for horizontal installation.
- Pulse prepared.
- Clear, easily read, dry dial 6-digit counter.
- Sealed dry dial register.
- Working temperature between  $\leq 50^{\circ}\text{C}$ .
- Internal plus removable strainer. (2 strainers).
- Maximum working pressure 1600 kPa.
- Glass reinforced Polymer body for maximum strength.
- Meter Pressure tested to 4800 kPa.
- Magnetic drive, lower transmission resistance.
- Magnetic shield prevents external magnetic interference.
- Pulse prepared. A reed switch is an optional extra.

## MD-AP POLYMER MULTI-JET PERFORMANCE SPECIFICATIONS CLASS C\*

METER SIZE	40mm*
Maximum Flowrate $q_s \pm 2\%$ (m <sup>3</sup> /h)	20
Permanent Flowrate $q_p \pm 2\%$ (m <sup>3</sup> /h)	10
Transitional Flowrate $q_t \pm 2\%$ (ℓ/h)	150
Minimum Flowrate $q_{min} \pm 5\%$ (ℓ/h)	100
Maximum Working Pressure (kPa)	1600
Maximum Test Pressure (kPa)	4800
Pulse Output (ℓ)	1 or 10 or 100 or 1000

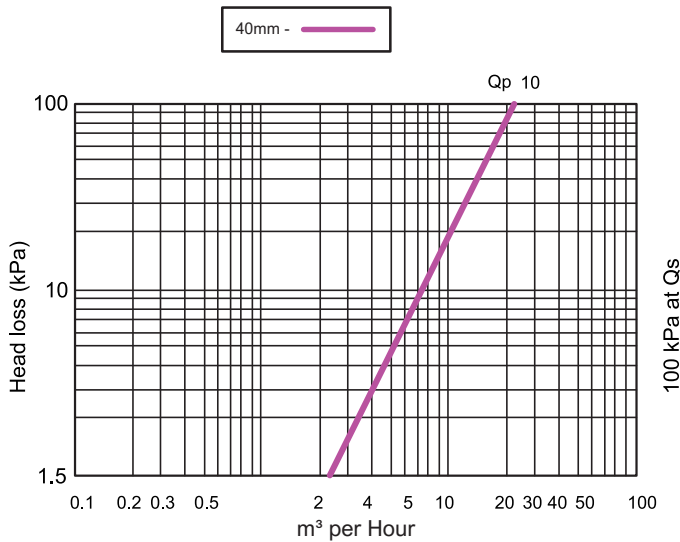
## DIMENSION TABLE

DIMENSIONS	mm
Meter Length (L)	245mm
Meter Width (W)	124mm
Meter Height (H)	147mm

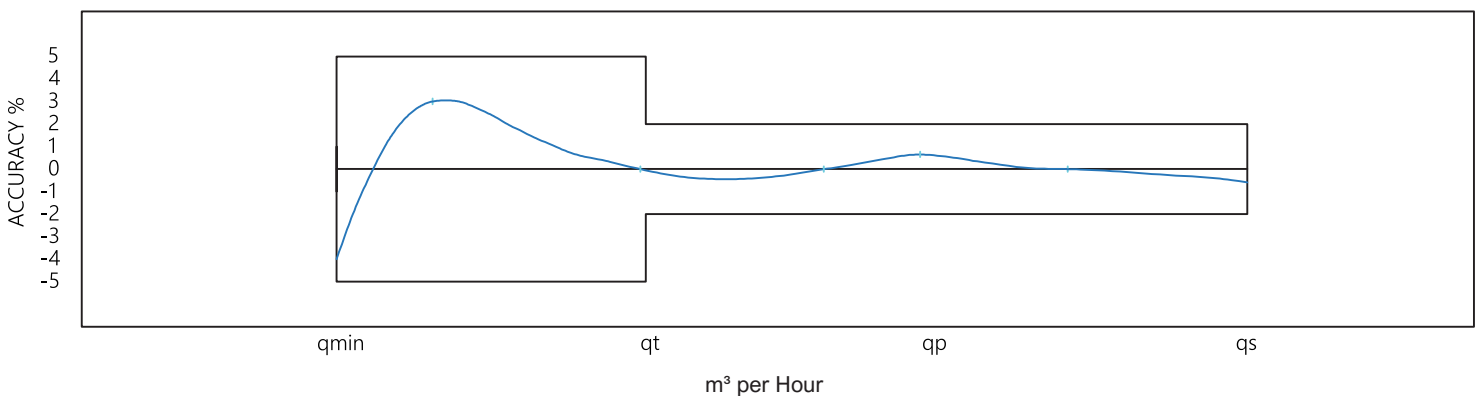


## TYPICAL HEAD LOSS CURVE

Pressure Drop Graph:



## TYPICAL ACCURACY CURVE



Please note that it is a legal requirement that all Polymer bodied meters be installed in an enclosure like a meter box.

**DOMESTIC METERS • BULK METERS • METER BOXES • SMART METERING**

Tel: +27 21 510 466  
Unit 4B, Panther Park, 11 Berkley Road, Maitland, 7405  
[www.precisionmeters.co.za](http://www.precisionmeters.co.za)

