

WMC COMBINATION METER 50mm to 150mm.



APPLICATION

- Accurate measurement of volume of cold potable water consumption.
- Suitable for District Metered Areas (DMA) + consumer applications.

FEATURES

- Meters comply with ISO4064 (Class B) requirements.
- Both main meter and by-pass meter are pulse ready.
- Meter sizes.
- Working temperature $\leq 50^{\circ}\text{C}$.
- Working pressure 1600 kPa.
- Available Drilled to Table 16.
- 40mm to 150mm tested and verified in South Africa.
- Epoxy coated cast iron body.
- Designed for Horizontal installation.
- Internal mechanism replaceable without removing body from pipe.
- Pre-Calibrated mechanisms available for replacement.

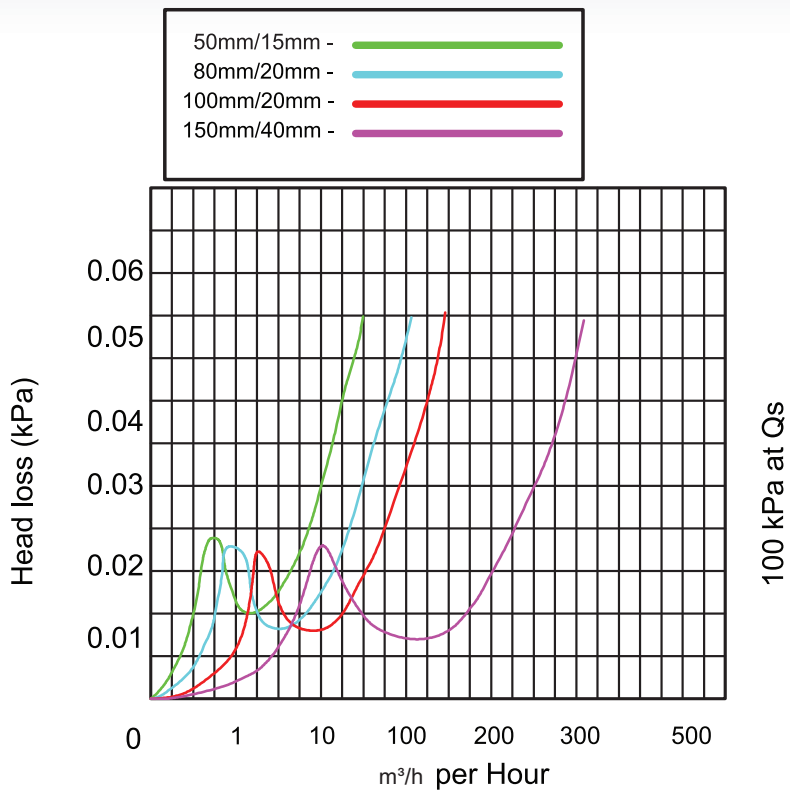
N.B. A strainer must be fitted upstream of a combination meter to protect the meter and changeover valve.

WMC COMBINATION METER PERFORMANCE SPECIFICATIONS - CLASS B

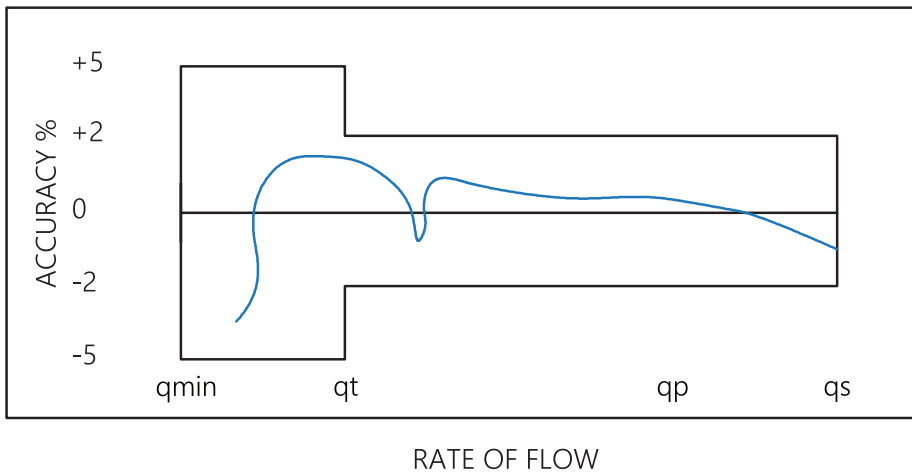
METER SIZE (mm)	Maximum Flow rate $q_s \pm 2\%$ (m ³ /h)	Permanent Flow rate $q_p \pm 2\%$ (m ³ /h)	Transitional Flow rate $q_t \pm 2\%$ (m ³ /h)	Minimum Flow rate $q/\text{min} \pm 5\%$ (m ³ /h)	Minimum Reading (m ³ /h)	Pulse Value Litres per pulse (By-Pass)	Pulse Value Litres per pulse (FIXED)
50 X 15*	30	15	0.12	0.03	0.0001	1 or 10 or 100	100
80 X 20	80	40	0.2	0.05	0.0001	1 or 10 or 100	100
100 X 20	120	60	0.2	0.05	0.0001	1 or 10 or 100	100
150 X 40	300	150	0.8	0.2	0.001	1 or 10 or 100	100

* N.B. 50 X 15 is an in-line type. Larger sizes are all dual right hand by-pass type.

WMC COMBINATION METER HEAD LOSS CURVE

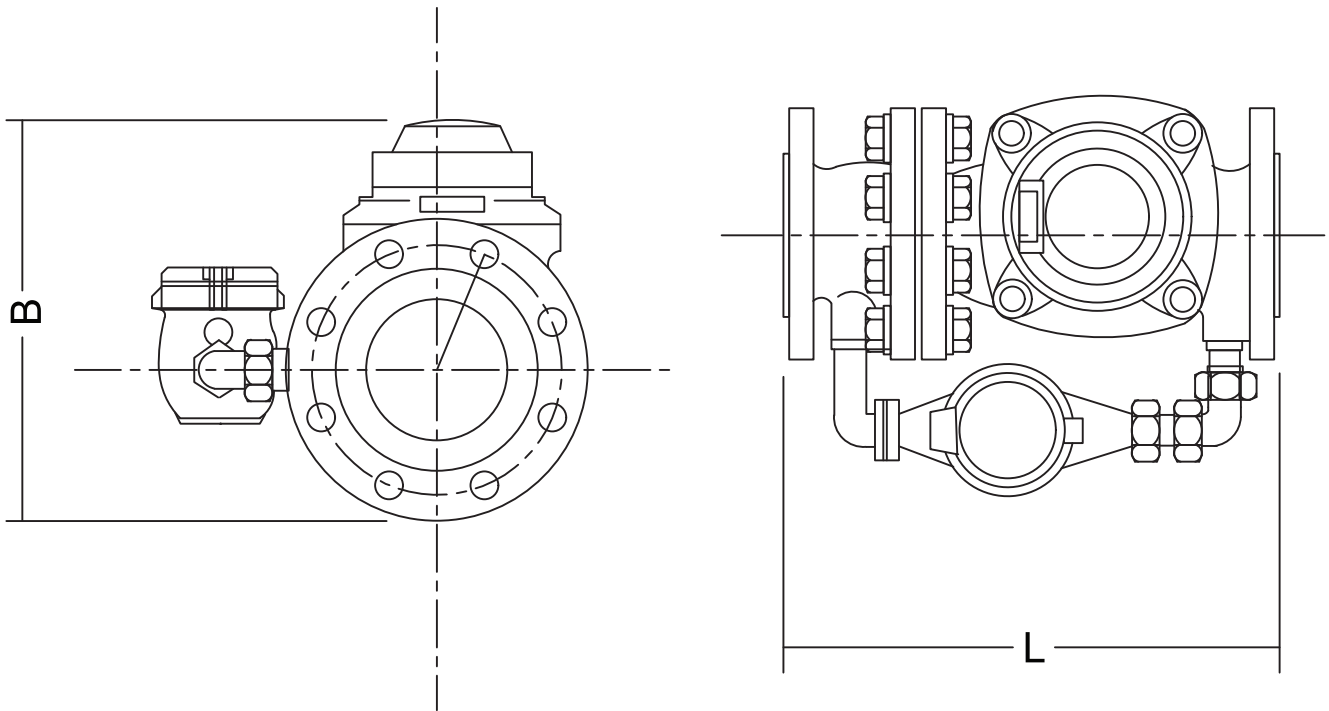


TYPICAL WMC COMBINATION BULK METER FLOW ERROR CURVE



DIMENSION TABLE

METER SIZE (mm)	L Length (mm)	H Height (mm)	± Weight (kg)
50	200	215	13
80	225	279	18
100	250	289	20
150	300	360	40



DOMESTIC METERS • BULK METERS • METER BOXES • SMART METERING