

# LXXG IRRIGATION METER

## 50mm to 300mm.



## APPLICATION

- Measurement of cold raw water passing through a pipeline.
- Suitable for pumped lines.

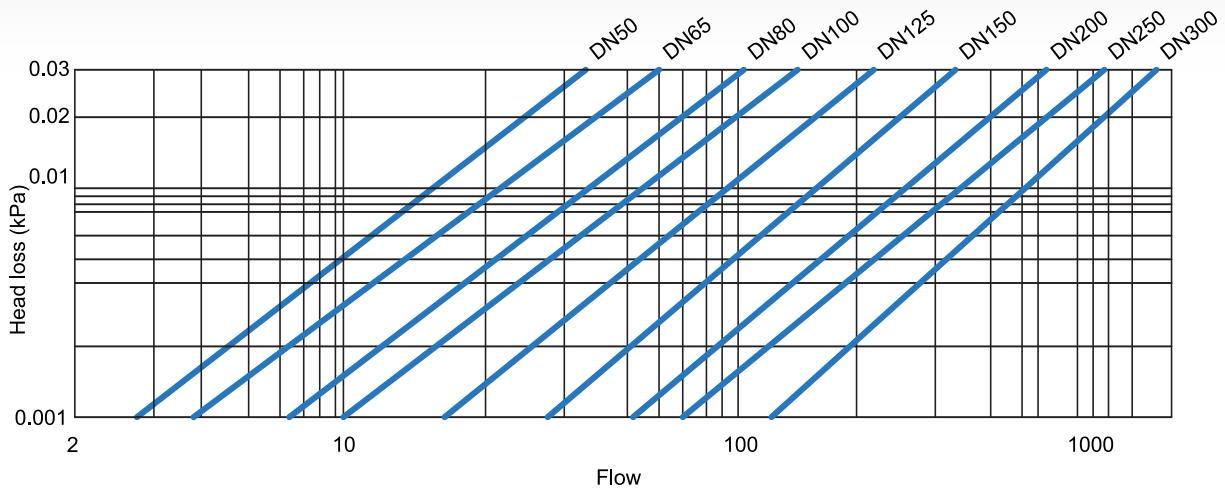
## FEATURES

- 50mm to 100mm comply with SANS1529 -1: 2019 (Class A)
- 150mm to 300mm comply with ISO4064 (Class A)
- Pulse output standard. No additional pulse pick up required.
- Meter sizes 40mm to 200mm fitted with straight reading counters.
- Working temperature  $\leq 40^{\circ}\text{C}$ .
- Working pressure 1600 kPa.
- Available Drilled to Table 16.
- 50mm to 150mm tested and verified in South Africa.
- Epoxy coated cast iron body.
- Designed for Horizontal installation.
- Internal mechanism replaceable without removing body from pipe.
- Pre-Calibrated mechanisms available for replacement.

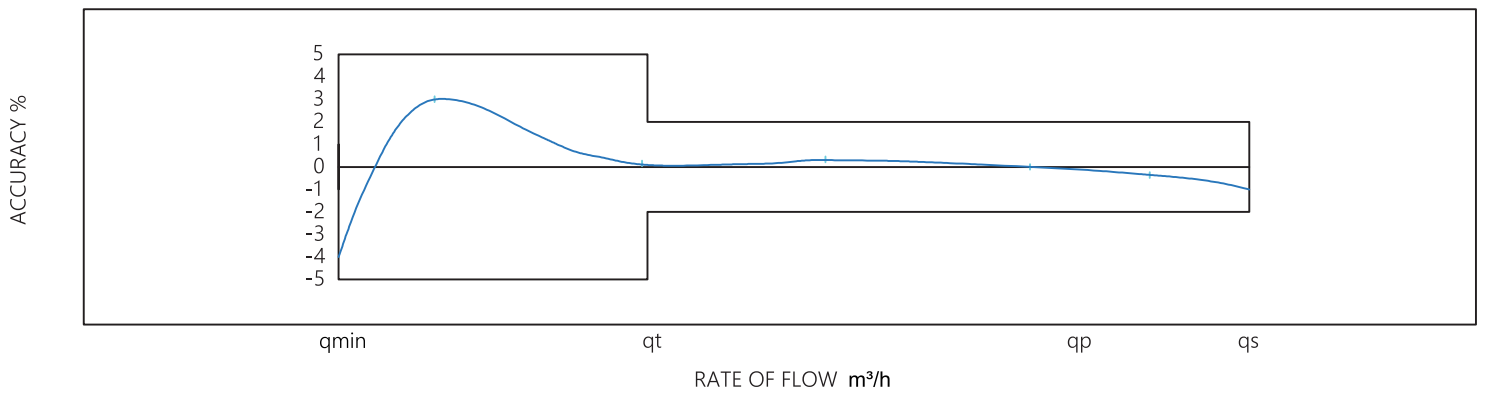
## LXXG IRRIGATION METER PERFORMANCE SPECIFICATIONS - CLASS A

METER SIZE (mm)	Maximum Flow rate $q_s \pm 2\%$ (m <sup>3</sup> /h)	Permanent Flow rate $q_p \pm 2\%$ (m <sup>3</sup> /h)	Transitional Flow rate $q_t \pm 2\%$ (m <sup>3</sup> /h)	Minimum Flow rate $q/\text{min} \pm 5\%$ (m <sup>3</sup> /h)	Minimum Reading (m <sup>3</sup> /h)	Counter Factor (Multiplier)	Pulse Value Litres per pulse (FIXED)
50	30	15	4.5	1.2	0.0005	-	100
80	80	40	12	3.2	0.002	-	100
100	120	60	18	4.8	0.002	-	100
150	300	150	45	12	0.002	-	1000
200	500	250	75	20	0.002	-	1000
250	800	400	120	32	0.02	X10	1000
300	1200	600	180	48	0.2	X10	1000

# LXXG IRRIGATION HEAD LOSS GRAPH

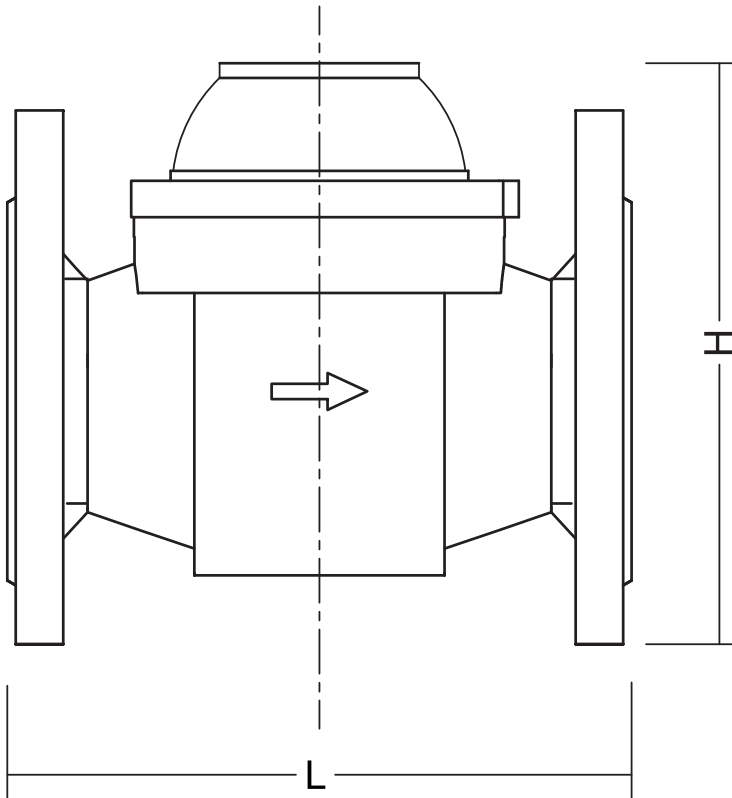


# TYPICAL LXXC IRRIGATION METER FLOW ERROR CURVE



## DIMENSION TABLE

Meter Size (mm)	L Length (mm)	H Height (mm)	± Weight (kg)
50	200	215	13
80	225	279	18
100	250	289	20
150	300	360	40
200	350	346	52
250	450	434	82
300	500	459	103



**DOMESTIC METERS • BULK METERS • METER BOXES • SMART METERING**