

LXHS ASM POLYMER VOLUMETRIC ROTARY PISTON METER



APPLICATION

- Measurement of volume of cold potable water consumption.
- Suitable for both domestic and small business applications.

FEATURES

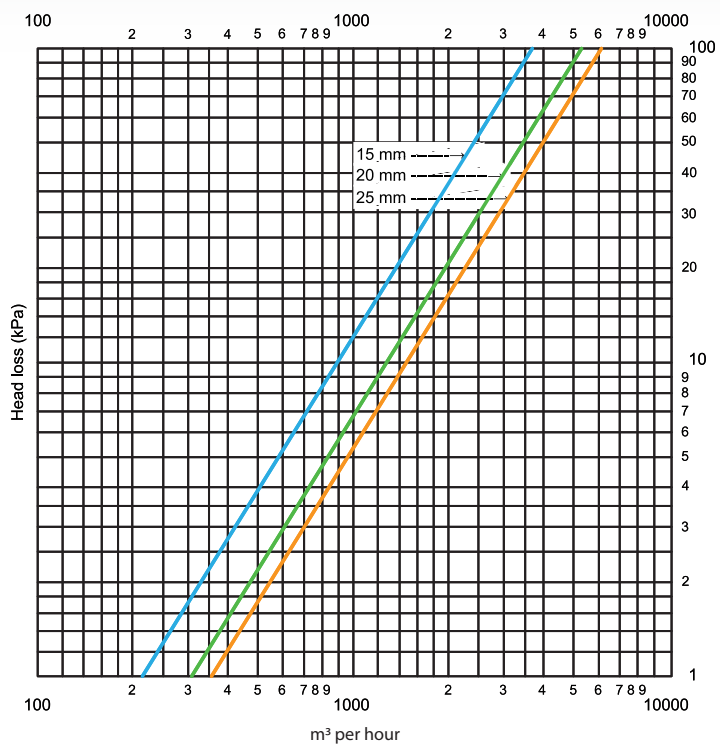
- Approved to SANS1529 -1: 2019 Class C specifications. (SA1508)
- Meter accuracy not affected by angle of installation.
- Pulse prepared.
- Clear, easily read, liquid filled 8-digit counter.
- Minimum reading 0,00002 m³.
- Working temperature between 2°C and 40°C.
- Internal Non-Return Valve and Strainer.
- Working pressure 1600 kPa.
- Grooved piston for improved performance and reliability.
- Inlet and Outlet threads compatible with ISO metric sizes.
- Meter bodies manufactured from specially blended glass reinforced UV stabilised polymer tested up to 4800 kPa.
- 20mm meter has bowed strainer with increased mesh area.
- 20mm & 25mm meter has spring loaded non-return valve.
- Robust leak proof construction.
- No external calibration facility prevents tampering.

LXHS ASM PERFORMANCE SPECIFICATIONS – SANS 1529: 2019 CLASS C *

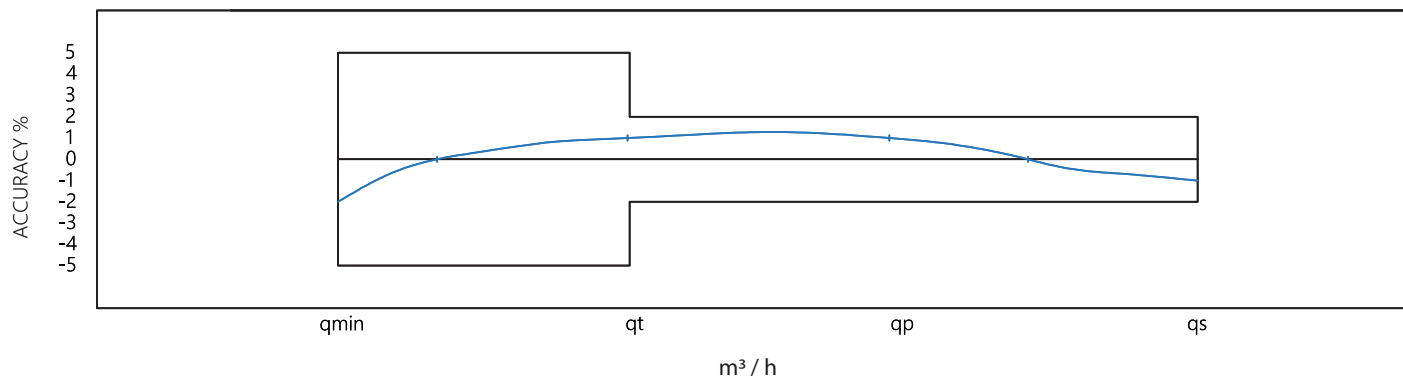
METER SIZE	15mm*	20mm*	25mm*
Maximum Flowrate $q_s \pm 2\%$ (m ³ /h)	3	5	7
Nominal Flowrate $q_p \pm 2\%$ (m ³ /h)	1,5	2,5	3,5
Transitional Flowrate $q_t \pm 2\%$ (ℓ/h)	22,5	37,5	52,5
Minimum Flowrate $q_{min} \pm 5\%$ (ℓ/h)	15	25	35
Maximum Working Pressure (kPa)	1600	1600	1600
Maximum Test Pressure (kPa)	4800	4800	4800
Pulse Output (ℓ)	0.5	0.5	5

Please note that it is a legal requirement that all Polymer bodied meters be installed in an enclosure like a meter box.

TYPICAL HEAD LOSS CURVE

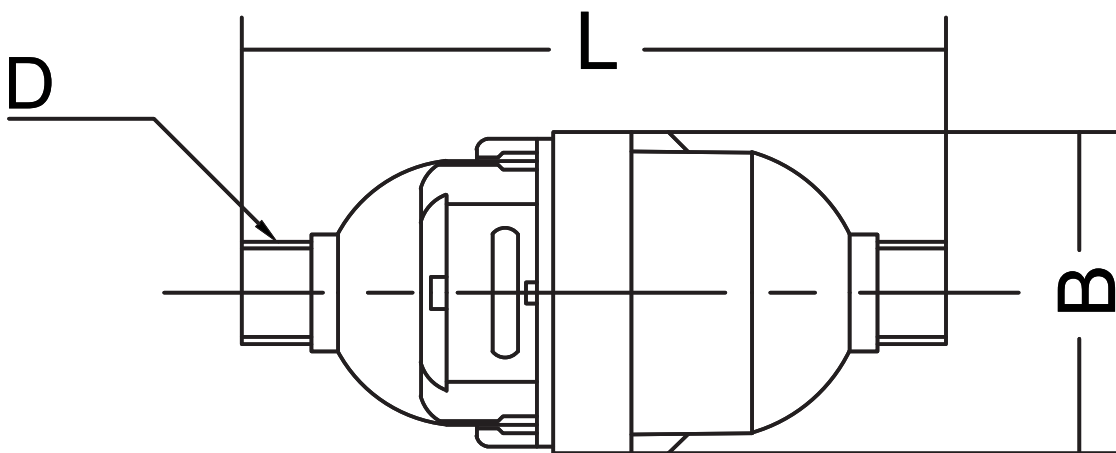


TYPICAL ACCURACY CURVE



DIMENSION TABLE

METER SIZE	15mm	20mm	25mm
Meter length (L)	114	165	198
Meter diameter (B)	98	99	120
Connection thread (D)	20 BSP	25 BSP	32 BSP
Meter weight (\pm kg)	0.44	0,49	0.78



DOMESTIC METERS • BULK METERS • METER BOXES • SMART METERING