

LXH ASM BRASS VOLUMETRIC ROTARY PISTON METER



APPLICATION

- Accurate measurement of volume of cold potable water consumption.
- Suitable for both domestic and small business applications.

FEATURES

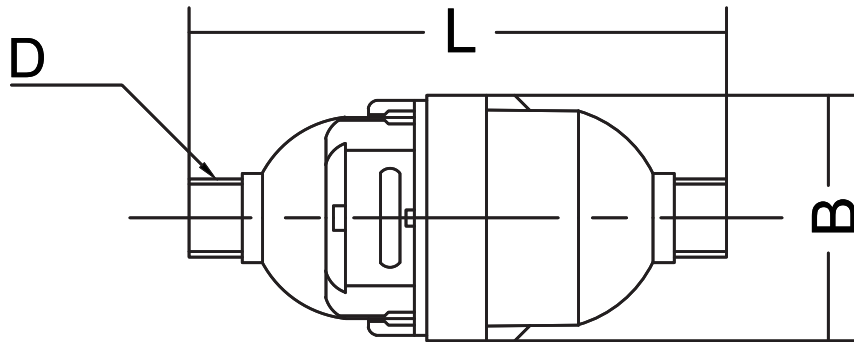
- Approved to SANS1529 -1: 2019 Class C specifications. (SA1508)
- Meter accuracy not affected by angle of installation.
- Pulse prepared.
- Clear, easily read, liquid filled 8-digit counter.
- Minimum reading 0,00002m³
- Working temperature between 2°C and 40°C.
- Internal Non-Return Valve and Strainer.
- Working pressure 1600 kPa.
- Grooved piston for improved performance and reliability.
- Inlet and Outlet threads compatible with ISO metric sizes.
- Dezincification Resistant Brass body. (DZR)
- 20mm meter has bowed strainer with increased mesh area.
- 20mm & 25mm meter has spring loaded non-return valve.
- Robust leak proof construction.
- No external calibration facility prevents tampering

LXH ASM PERFORMANCE SPECIFICATIONS – SANS 1529: 2019 CLASS C *

METER SIZE	15mm*	20mm*	25mm*
Maximum Flowrate $q_s \pm 2\%$ (m ³ /h)	3	5	7
Nominal Flowrate $q_p \pm 2\%$ (m ³ /h)	1.5	2.5	3.5
Transitional Flowrate $q_t \pm 2\%$ (ℓ/h)	22.5	37.5	52.5
Minimum Flowrate $q_{min} \pm 5\%$ (ℓ/h)	15	25	35
Maximum Working Pressure (kPa)	1600	1600	1600
Maximum Test Pressure (kPa)	4800	4800	4800
Pulse Output (ℓ)	0.5	0.5	5

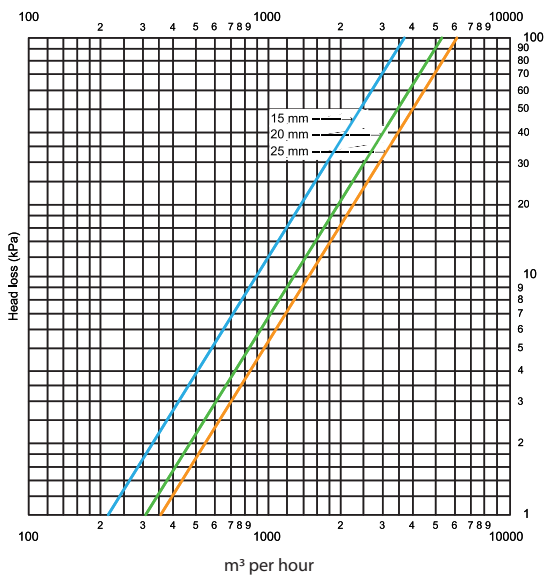
LXH ASM DIMENSIONS TABLE

METER SIZE	15mm*	20mm*	25mm*
Meter length (L)	114	165	200
Meter diameter (B)	86	86	104
Connection thread (D)	20 BSP	25 BSP	32 BSP
Meter weight (\pm kg)	0.86	1	1.6

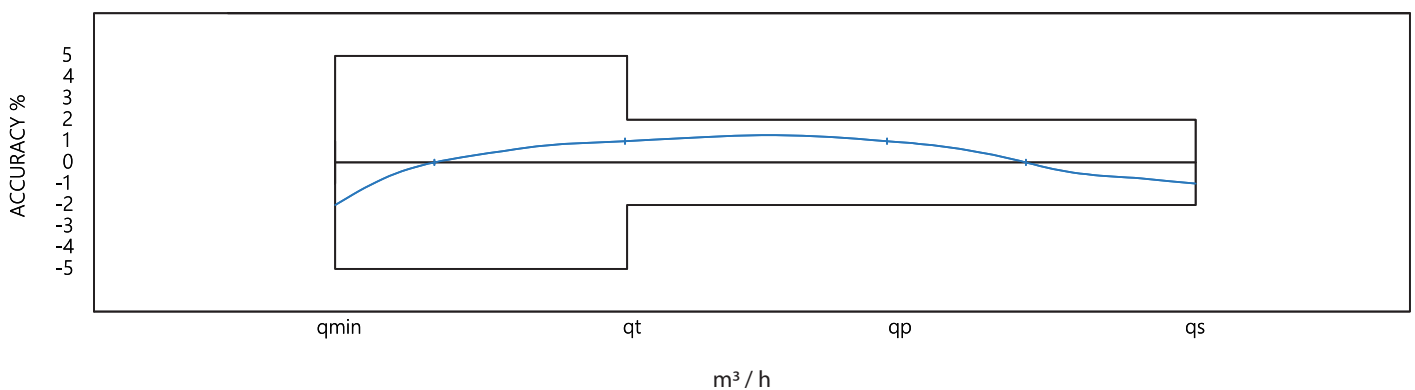


LXM ASM BRASS VOLUMETRIC ROTARY PISTON METER

TYPICAL HEAD LOSS CURVE



TYPICAL FLOW ERROR CURVE



DOMESTIC METERS • BULK METERS • METER BOXES • SMART METERING

Tel: +27 21 510 466
Unit 4B, Panther Park, 11 Berkley Road, Maitland, 7405
www.precisionmeters.co.za

