

LXSG CLASS B BRASS MULTI-JET INFERENTIAL METER



APPLICATION

- Measurement of cold or hot potable water consumption.
- Suitable for both domestic and small business applications.

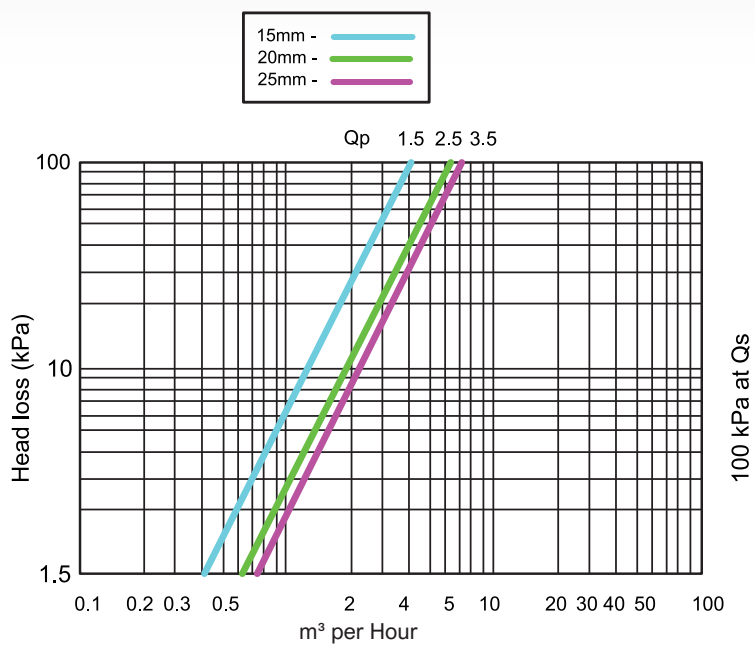
FEATURES

- Approved to SANS1529 -1: 2019 Class B specifications. (SA 1566)
- For Horizontal installation.
- Pulse prepared.
- Clear, easily read, dry dial counter. Reads to 0.0002m³.
- Cold water meter working temperature ≤ 50°C.
- Hot water meter working temperature ≤ 90°C.
- Strainer removeable for maintenance in the field.
- Working pressure 1600 kPa.
- Suitable for measuring potable water.
- Inlet and Outlet threads compatible with ISO metric sizes.
- Dezincification Resistant Brass body. (DZR)
- Less susceptible to damage caused by suspended solids.
- Pulse prepared – different settings available.
- Recalibrated possible in SANAS accredited verification laboratory.

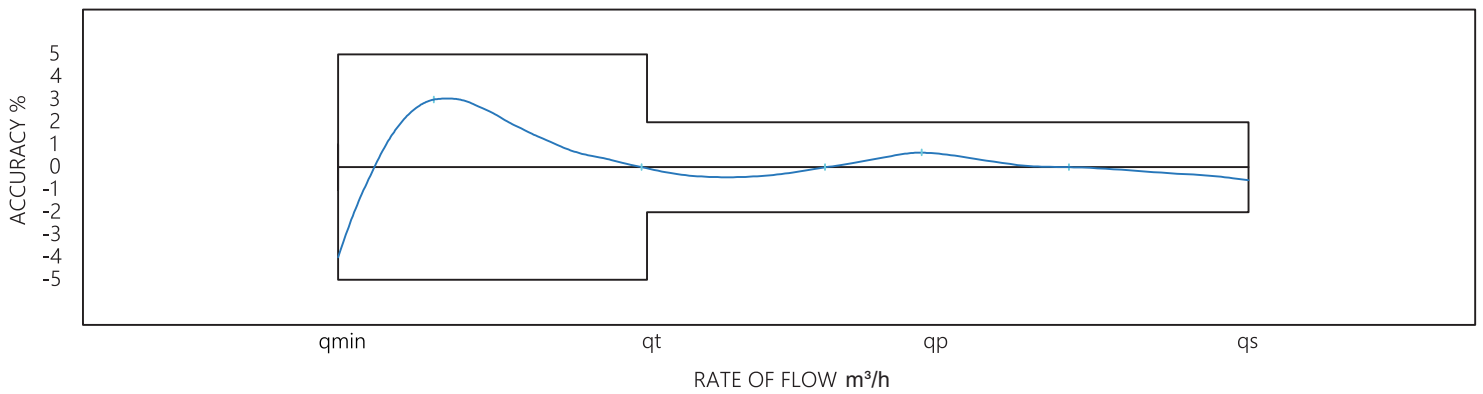
LXSG PERFORMANCE SPECIFICATIONS – SANS 1529: 2019 CLASS B*

METER SIZE	15mm*	20mm*
Maximum Flowrate $q_s \pm 2\%$ (m ³ /h)	3	5
Nominal Flowrate $q_p \pm 2\%$ (m ³ /h)	1.5	2.5
Transitional Flowrate $q_t \pm 2\%$ (ℓ/h)	120	200
Minimum Flowrate $q_{min} \pm 5\%$ (ℓ/h)	30	50
Maximum Working Pressure (kPa)	1600	1600
Maximum Test Pressure (kPa)	4800	4800
Pulse Output (ℓ)	1 or 10 or 100 or 1000	1 or 10 or 100 or 1000

TYPICAL HEAD LOSS CURVE

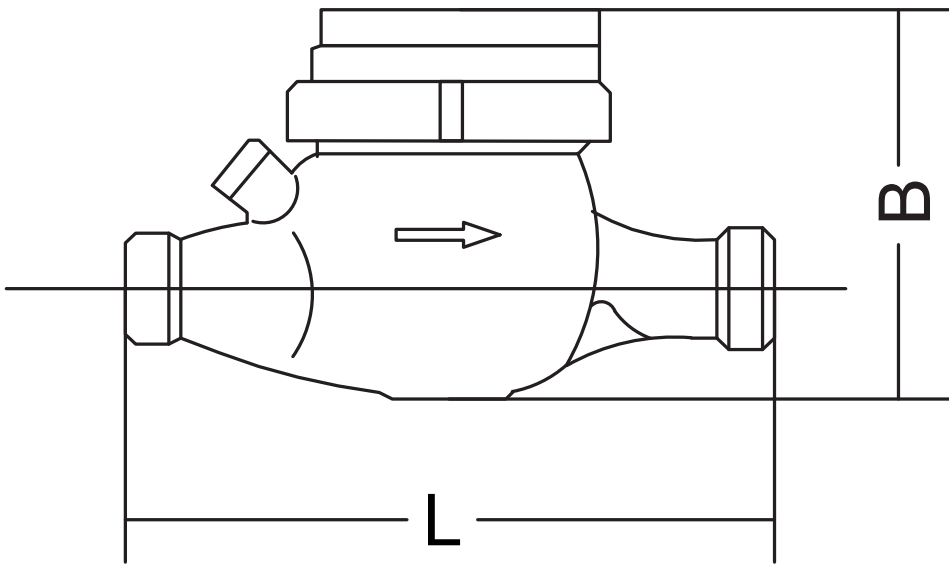


TYPICAL ACCURACY CURVE



DIMENSION TABLE

METER SIZE	15mm	20mm
Meter length (L)	165	165
Meter width (W)	97	97
Meter height (H)	117	118
Connection thread	20 BSP	25 BSP
Meter weight (\pm kg)	1.1	1.3



DOMESTIC METERS • BULK METERS • METER BOXES • SMART METERING