

LXXG IRRIGATION METER

50mm to 300mm.



APPLICATION

- Measurement of cold raw water passing through a pipeline.
- Suitable for pumped lines.

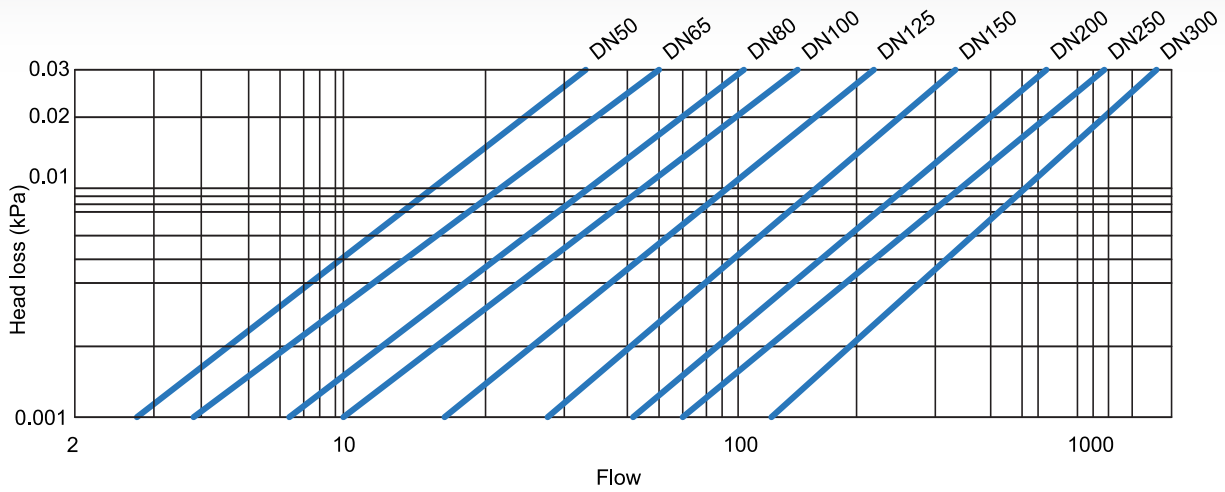
FEATURES

- 50mm to 100mm comply with SANS1529 -1: 2019 (Class A)
- 150mm to 300mm comply with ISO4064 (Class A)
- Pulse output standard. No additional pulse pick up required.
- Meter sizes 40mm to 200mm fitted with straight reading counters.
- Working temperature $\leq 40^{\circ}\text{C}$.
- Working pressure 1600 kPa.
- Available Drilled to Table 16.
- 50mm to 150mm tested and verified in South Africa.
- Epoxy coated cast iron body.
- Designed for Horizontal installation.
- Internal mechanism replaceable without removing body from pipe.
- Pre-Calibrated mechanisms available for replacement.

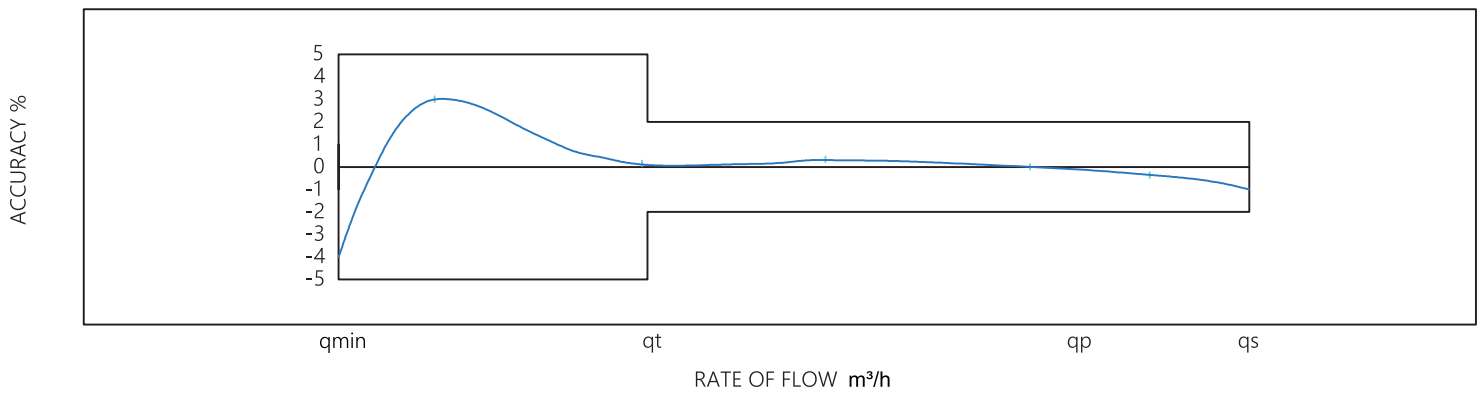
LXXG IRRIGATION METER PERFORMANCE SPECIFICATIONS - CLASS A

METER SIZE (mm)	Maximum Flow rate $q_s \pm 2\%$ (m ³ /h)	Permanent Flow rate $q_p \pm 2\%$ (m ³ /h)	Transitional Flow rate $q_t \pm 2\%$ (m ³ /h)	Minimum Flow rate $q/\text{min} \pm 5\%$ (m ³ /h)	Minimum Reading (m ³ /h)	Counter Factor (Multiplier)	Pulse Value Litres per pulse (FIXED)
50	30	15	4.5	1.2	0.0005	-	100
80	80	40	12	3.2	0.002	-	100
100	120	60	18	4.8	0.002	-	100
150	300	150	45	12	0.002	-	1000
200	500	250	75	20	0.002	-	1000
250	800	400	120	32	0.02	X10	1000
300	1200	600	180	48	0.2	X10	1000

LXXG IRRIGATION HEAD LOSS GRAPH

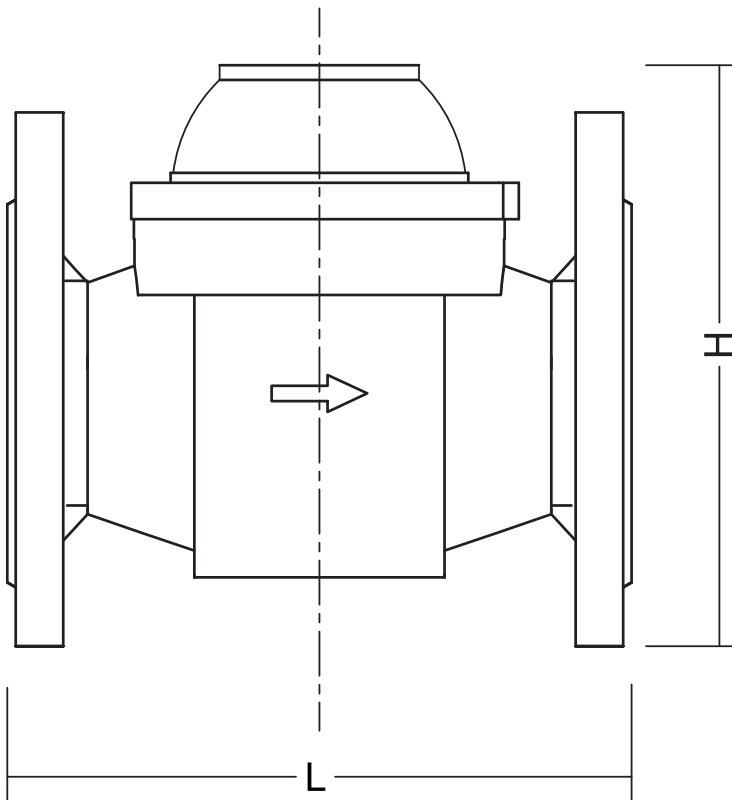


TYPICAL LXXC IRRIGATION METER FLOW ERROR CURVE



DIMENSION TABLE

Meter Size (mm)	L Length (mm)	H Height (mm)	± Weight (kg)
50	200	215	13
80	225	279	18
100	250	289	20
150	300	360	40
200	350	346	52
250	450	434	82
300	500	459	103



DOMESTIC METERS • BULK METERS • METER BOXES • SMART METERING