

VOLUMETRIC ROTARY PISTON METER ASM LXHP SA1508 15mm – 20mm Plastic Cold Water

APPLICATION:

- Measures the volume of clean, cold water passing through a pipeline.
- Domestic billing purposes.

FEATURES:

- Plastic shell of solid and robust design for long service life.
- Corrosion resistance, UV Stabilised, fibreglass reinforced polymer plastic.
- Optimum accuracy and performance in any position (horizontal or vertical).
- Grooved rotary piston.
- Clear, easily read, liquid sealed 8 digit counter.
- Measuring accuracy approved to SANS 1529-1.
- Internal Non-Return Valve and Strainer.
- Each meter has a unique serial number.
- Pulse prepared.
- Inlet and Outlet threads compatible with ISO metric sizes.

MAXIMUM PERMISSIBLE ERRORS:

- In the lower zone from q_{min} inclusive up to but excluding q_t is $\pm 5\%$.
- In the upper zone from q_t inclusive up to and including q_s is $\pm 2\%$.

WORKING CONDITIONS:

- Working temperature: $2^{\circ}C \sim 40^{\circ}C$.
- Nominal pressure: 1600 kPa (16 Bar).
- Maximum test pressure: 4800 kPa (48 Bar).

COMPLIANCE STANDARD:

- Conforms to SANS 1529-1:2006 (Class C).
- Conforms to ISO4064: Class C.



INSTALLATION REQUIREMENTS:

- May be installed on a horizontal or vertical pipeline.
- Pipeline must be flushed before installation.
- Meters should be constantly full of water during operation.

IMPORTANT NOTICE:

- Meter to be used with plastic Tailpieces/Connectors.
- No Hemp to be used during installation.
- No soldering or heat to be applied during installation..

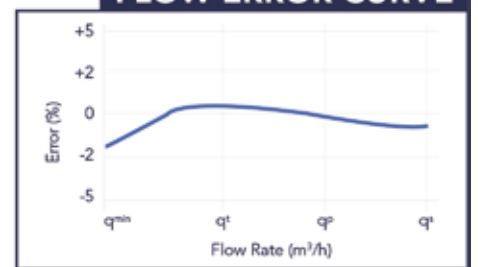
MAIN TECHNICAL SPECIFICATIONS

Type	Size (mm)	Class	m ³ /h				m ³		Pulse Value (Per Pulse)
			q ^{max}	q ⁿ	q ^t	q ^{min}	Min. Reading	Max. Reading	
			Max. Flow	Nominal Flow	Transitional Flow	Min. Flow			
LXHP - 15	15	C	3	1,5	0,023	0,015	0,00002	9999	500 ml
LXHP - 20	20	C	5	2,5	0,038	0,025	0,00002	9999	500 ml

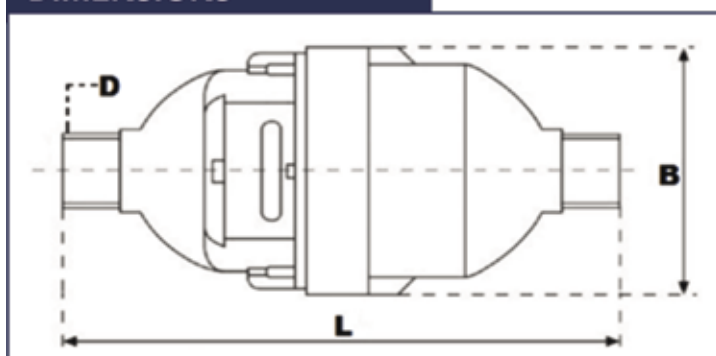
DIMENSIONS TABLE

Type	Size (mm)	L	B	D	± Weight per Meter (kg)	Per Box of 10 Meters	
		Length (mm)	Width (mm)	Connection Thread		± Weight (kg)	Dimensions (mm)
LXHP - 15	15	115	98	BSP 20mm	0,46	5	526 x 246 x 110
LXHP - 20	20	165	99	BSP 25mm	0,46	5,3	473 x 365 x 103

FLOW ERROR CURVE



DIMENSIONS



HEAD LOSS DATA

