

## MULTI-JET DRY TYPE WATER METER

MODEL: LXSC-15KS ~ 20KS / LXSC-15K1S-Extra Dry Dial Plastic Water Meter (Export Only).



LXSC-15KS (copper-can registers)



LXSC-15KS1 (45 degree register)

### APPLICATION:

Measures the volume of cold potable water passing through a pipeline to a household or residential unit.

### FEATURES:

- Extra dry-type water meter.
- Non airflow recording unaffected by grit.
- Protection from environment IP 68
- Copper-can register.
- Magnetic drive for counter.
- Optimum accuracy and performance at all times.
- Anti freezing property.
- Measuring accurate to ISO4064 - Class C Standard.
- 5mm glass or plastic lens option available.
- Optional remote reading addition without need for removal or dismantling.
- Available with non return valve (NRV)

### MAXIMUM PERMISSIBLE ERRORS:

- In the lower zone from ( $Q_{min}$ ) inclusive up to but excluding ( $Q_t$ ) is  $\pm 5\%$ .
- In the upper zone from ( $q_t$ ) inclusive up to and including ( $Q_s$ ) is  $\pm 2\%$  cold water (Hot water meter:  $\pm 3\%$ ).

### WORKING CONDITIONS:

- Water temperature:  $\leq 50^\circ\text{C}$  for cold water.
- Water pressure:  $\leq 1.0\text{MPa}$  - optional 1.6Mpa.

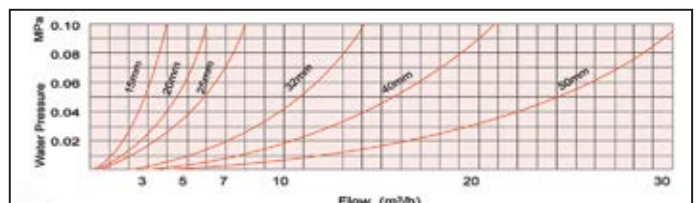
### ACCESSORIES:

- Each water meter has one set couplings optional: 2pcs tube, 2pcs nut and 2pcs gasket.

### MAIN TECHNICAL DATA

Type	Size (mm)	Class	Qn Max. Flow	Qp Nominal Flow	Qn Transitional Flow	Qmin Min. Flow	Min. Reading	Max. Reading
			M <sup>3</sup> /h		L/h		M <sup>3</sup>	
LXSC-15KS	15	A	3	1.5	150	60	0.0001	9999
		B			120	30		
		C			22.5	15		
LXSC-15K1S	15	A	3	1.5	150	60	0.0001	9999
		B			120	30		
		C			22.5	15		
LXSC-20KS	20	A	5	2.5	250	100	0.0001	9999
		B			200	50		
		C			37.5	25		

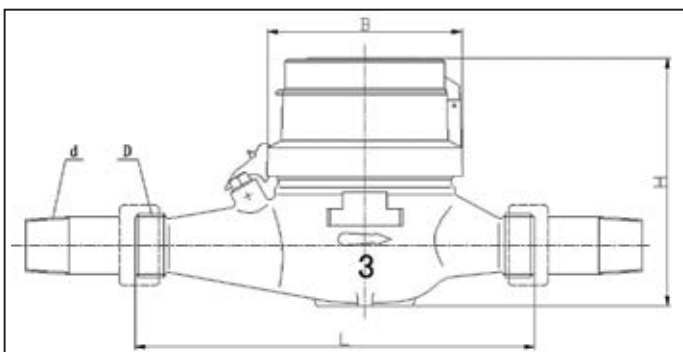
### PRESSURE LOSS CURVE



### DIMENSIONS AND WEIGHT

Type	Size	Length	Width	Height	Connecting Thread D	Weight (kg)
LXSC-15KS	15	165	86	106	G 3/4B	0.48
LXSC-15K1S	15	165	86	106	G 3/4B	0.38
LXSC-20KS	20	190	86	106	G 1B	0.58

### DIMENSIONS



### FLOW ERROR CURVE

