

## INFERENCEAL METERS LXSG 15mm-20mm Brass Dry Dial Cold & Hot Water Meter

### APPLICATION:

- Measures the volume of cold water passing through a pipeline.
- Domestic billing purposes.

### FEATURES:

- DZR brass body, epoxy coated.
- Magnetic drive.
- Dry type indicator for clear reading.
- Inlets Strainer.
- Pulse prepared with different pulse settings available.
- Capable for recalibration.
- Not sensitive to fine solids.
- Supplied with brass Tail pieces / Connectors.
- Each meter has a unique serial number.
- Inlet and Outlet threads compatible with ISO metric sizes.

### WORKING CONDITIONS:

- Working temperature:  $\leq 50^{\circ}\text{C}$  for cold water: 1600 kPa (16 Bar)
- Working temperature:  $\leq 90^{\circ}\text{C}$  for hot water: 1000 kPa (10 Bar)

### MAXIMUM PERMISSIBLE ERRORS:

- In the lower zone from  $q_{\min}$  inclusive up to but excluding  $q_t$  is  $\pm 5\%$ .
- In the upper zone from  $q_t$  inclusive up to and including  $q_s$  is  $\pm 2\%$  (Hot water meter:  $\pm 3\%$ ).

### COMPLIANCE STANDARD:

- Conforms to SANS 1529-1: Class B.
- Conforms to ISO4064: Class B.



### INSTALLATION REQUIREMENTS:

- Must be installed on a horizontal pipeline only.
- Pipeline must be flushed before installation.
- Meters should be constantly full of water during operation.

### IMPORTANT NOTICE:

- No Hemp to be used during installation.
- No soldering or heat to be applied during installation.

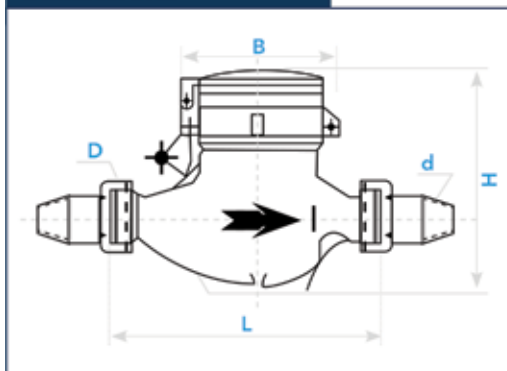
## MAIN TECHNICAL SPECIFICATIONS

Type	Size (mm)	Class	m <sup>3</sup> /h				m <sup>3</sup>		Pulse Values (Per Pulse) Available on request
			q <sup>*</sup>	q <sup>P</sup>	q <sup>t</sup>	q <sup>min</sup>	Min. Reading	Max. Reading	
			Max. Flow	Nominal Flow	Transitional Flow	Min. Flow			
LXSG - 15	15	B	3	1,5	0,12	0,3	0,00005	99999	1¢ or 10 ¢ or 100 ¢
LXSG - 20	20	B	5	2,5	0,38	0,25	0,00005	99999	1¢ or 10 ¢ or 100 ¢

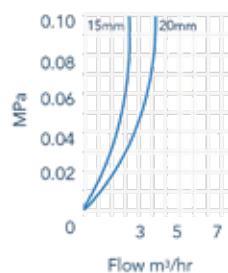
## DIMENSIONS

Type	Size (mm)	L	B	H	D	± Weight per Meter (kg)	Per Box of 10 Meters	
		Length (mm)	Width (mm)	Height (mm)	Connection Thread		± Weight (kg)	Dimensions (mm)
LXSG - 15	15	165	97	117	BSP 20mm	1,1	15,5	500 x 235 x 185
LXSG - 20	20	190	97	118	BSP 25mm	1,3	17	500 x 235 x 185

## DIMENSIONS



## HEAD LOSS DATA



## FLOW ERROR CURVE

