

BULK METER LXLC 40mm - 600mm Removable Element Woltman Water Meter

APPLICATION:

- Measures the volume of clean, cold water passing through a pipeline.
- DMA (District Metered Areas).

FEATURES:

- Removable internal mechanism without removing meter from pipeline.
- Easy installation and maintenance.
- Dry dial register with magnetic drive.
- Low pressure loss.
- Cast Iron epoxy coated body.
- Pulse prepared.
- Verification certification available on request.
- Each meter has a unique serial number.

MAXIMUM PERMISSIBLE ERRORS:

- In the lower zone from q_{min} inclusive up to but excluding q_t is $\pm 5\%$.
- In the upper zone from q_t inclusive up to and including q is $\pm 2\%$.

WORKING CONDITIONS:

- Working temperature: $\leq 50^\circ\text{C}$ for cold water: 1600 kPa (16 Bar).
- Working temperature: $\leq 50^\circ\text{C}$ for cold water: 2500 kPa (25 Bar) on request.

COMPLIANCE STANDARD:

- Compliance with SANS 1529 – 1: 2006 for sizes: 40mm – 100mm.
- Compliance with ISO4064 for sizes: $>100\text{mm}$.

INSTALLATION REQUIREMENTS:

- Must be installed on a horizontal pipeline only.
- Pipeline must be flushed before installation.
- Meters should be constantly full of water during operation.

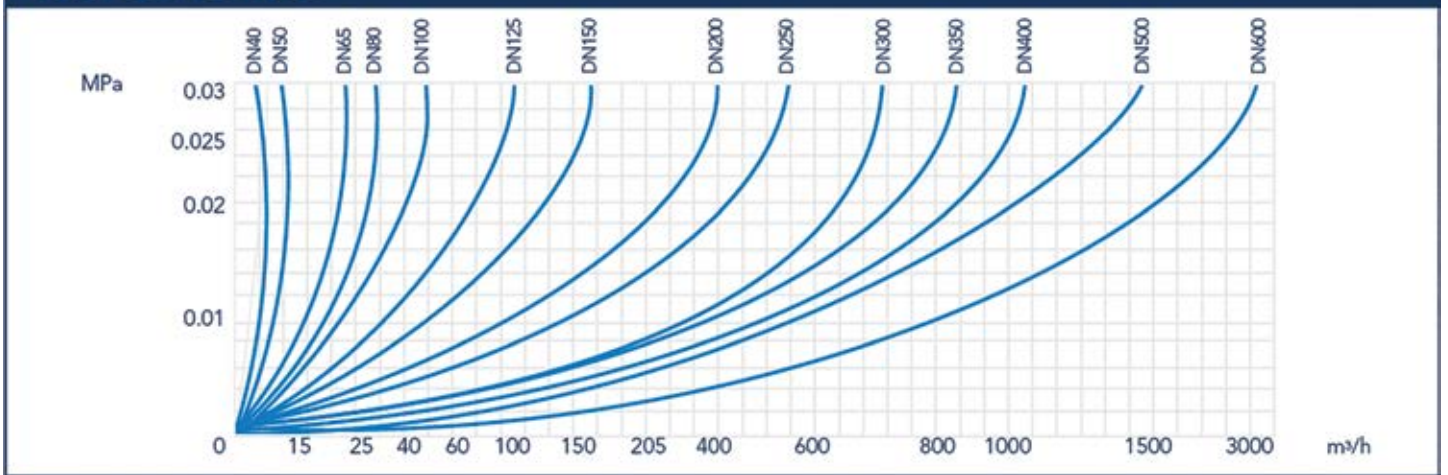


MAIN TECHNICAL SPECIFICATIONS

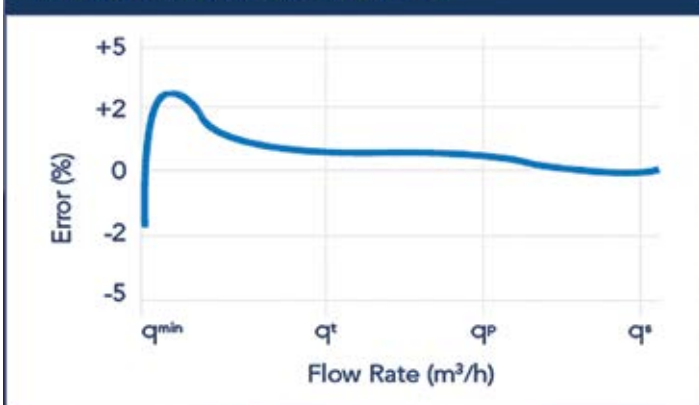
Type	Size (mm)	Class	m ³ /h				m ³		Factor	Pulse Value (Per Pulse)
			q ⁺	q ⁿ	q ^t	q ^{min}	Min. Reading	Max. Reading		
			Max. Flow	Nominal Flow	Transitional Flow	Min. Flow				
LXLC – 40	40	B	20	10	0,8	0,2	0,0005	999 999	x 1	100 ℓ
LXLC – 50	50	B	30	15	3	0,45	0,0005	999 999	x 1	100 ℓ
LXLC – 65	65	B	50	25	5	0,75	0,0005	999 999	x 1	100 ℓ
LXLC – 80	80	B	80	40	8	1,2	0,002	999 999	x 1	100 ℓ
LXLC – 100	100	B	120	60	12	1,8	0,002	999 999	x 1	100 ℓ
LXLC – 125	125	B	200	100	20	3	0,002	999 999	x 1	100 ℓ
LXLC – 150	150	B	300	150	30	4,5	0,002	999 999	x 1	100 ℓ
LXLC – 200	200	B	500	250	50	7,5	0,002	999 999	x 1	100 ℓ
LXLC – 250	250	B	800	400	80	12	0,02	999 999	x 10	1000 ℓ
LXLC – 300	300	B	1200	600	120	18	0,02	999 999	x 10	1000 ℓ
LXLC – 350	350	B	1600	800	160	24	0,02	999 999	x 10	1000 ℓ
LXLC – 400	400	B	2000	1000	200	30	2	999 999 9	x 100	1000 ℓ
LXLC – 500	500	B	3000	1500	300	45	2	999 999 9	x 100	1000 ℓ
LXLC – 600	600	B	6000	3000	600	90	2	999 999 9	x 100	1000 ℓ

BULK METER LXLC 40mm - 600mm Removable Element Woltman Water Meter

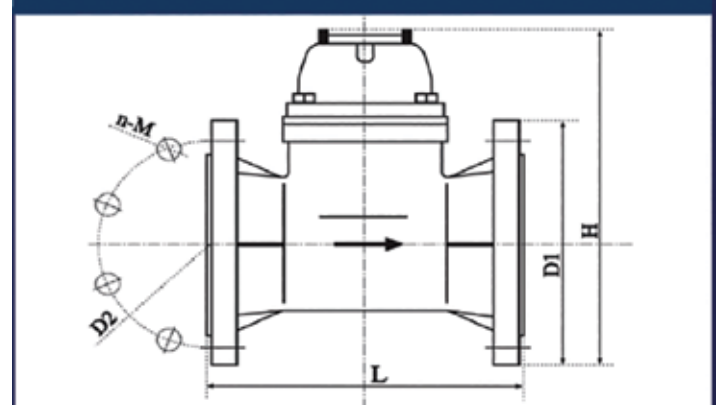
HEAD LOSS DATA



FLOW ERROR CURVE



DIMENSIONS



DIMENSIONS TABLE

Type	Size (mm)	L Length (mm)	H Height (mm)	Available Connecting Flange: BS4505									One Meter Per Wooden Crate	
				D1			D2			Connecting Bolts (n-M)			± Weight (kg)	Dimensions (mm)
				Outside Diameter (mm)	Bolt Circle Diameter (mm)									
T 16	T D	T 25	T 16	T D	T 25	T 16	T D	T 25						
LXLC - 40	40	200	200	150	-	150	110	-	110	4-M16	-	4-M16	11	260 x 240 x 180
LXLC - 50	50	200	215	165	152,4	165	125	114,3	125	4-M16	4-M16	4-M16	13	260 x 260 x 200
LXLC - 65	65	200	215	185	-	185	145	-	145	4-M16	-	8-M16	14	265 x 260 x 215
LXLC - 80	80	225	279	200	182,2	200	160	146	160	8-M16	4-M16	8-M16	18	320 x 285 x 230
LXLC - 100	100	250	289	220	215,9	235	180	177,8	190	8-M16	4-M16	8-M20	20	330 x 305 x 260
LXLC - 125	125	250	299	250	-	270	210	-	220	8-M16	-	8-M24	25	310 x 290 x 350
LXLC - 150	150	300	360	285	279,4	300	240	235	250	8-M20	8-M16	8-M24	40	400 x 360 x 320
LXLC - 200	200	350	346	340	-	360	295	-	310	12-M20	-	12-M24	52	470 x 420 x 410
LXLC - 250	250	450	434	405	-	425	355	-	370	12-M24	-	12-M27	82	510 x 500 x 440
LXLC - 300	300	500	459	460	-	485	410	-	430	12-M24	-	16-M27	103	560 x 550 x 500
LXLC - 350	350	500	590	520	-	555	460	-	490	16-M24	-	16-M30	166	580 x 580 x 740
LXLC - 400	400	600	660	580	-	620	515	-	550	16-M27	-	16-M33	240	720 x 650 x 620
LXLC - 500	500	800	760	715	-	730	620	-	660	20-M30	-	20-M33	370	880 x 760 x 630
LXLC - 600	600	500	880	840	-	845	725	-	770	20-M33	-	20-M36	220	880 x 980 x 960
Working Pressure (Bar)				16	16	25	16	16	25	16	16	25		